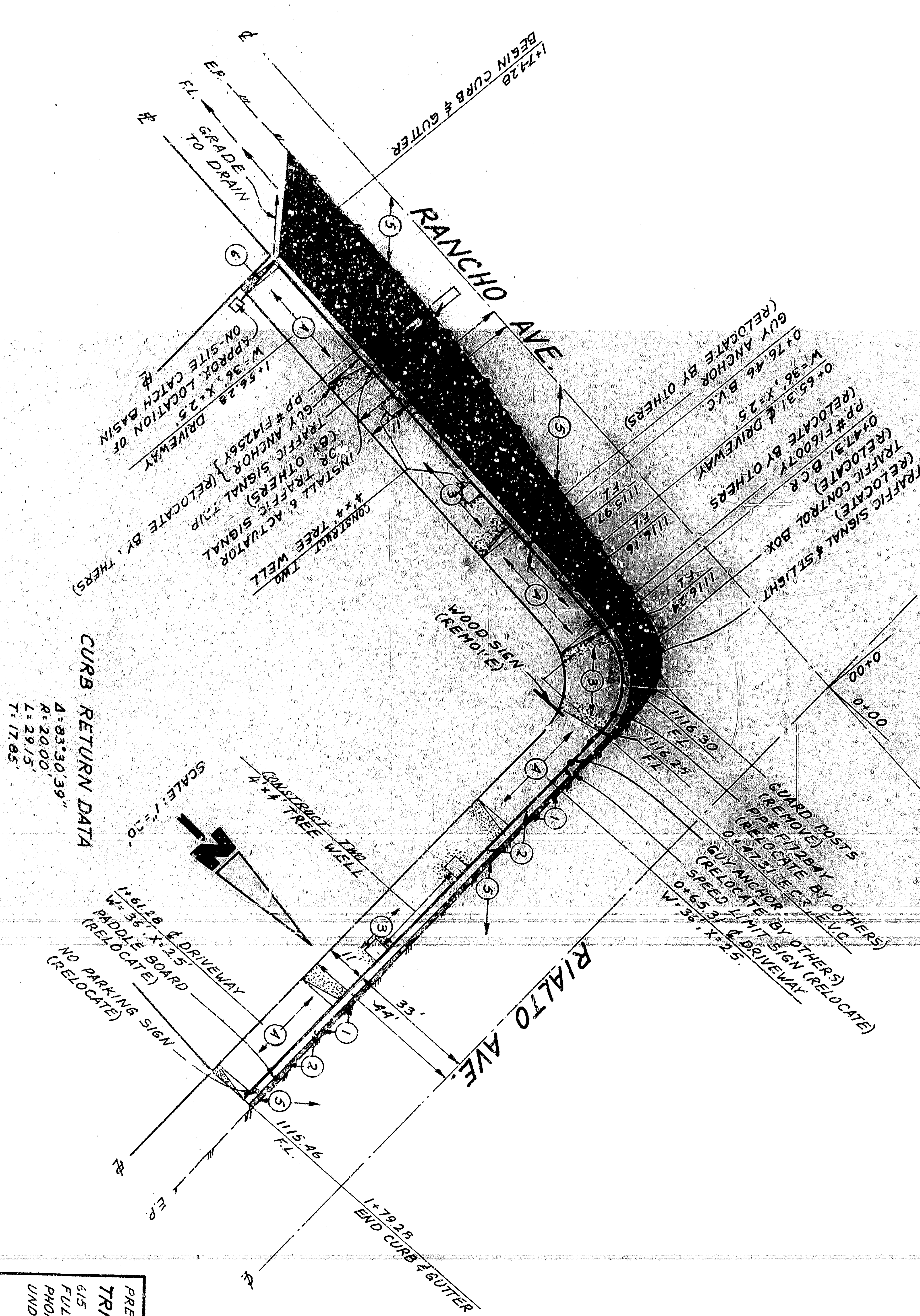
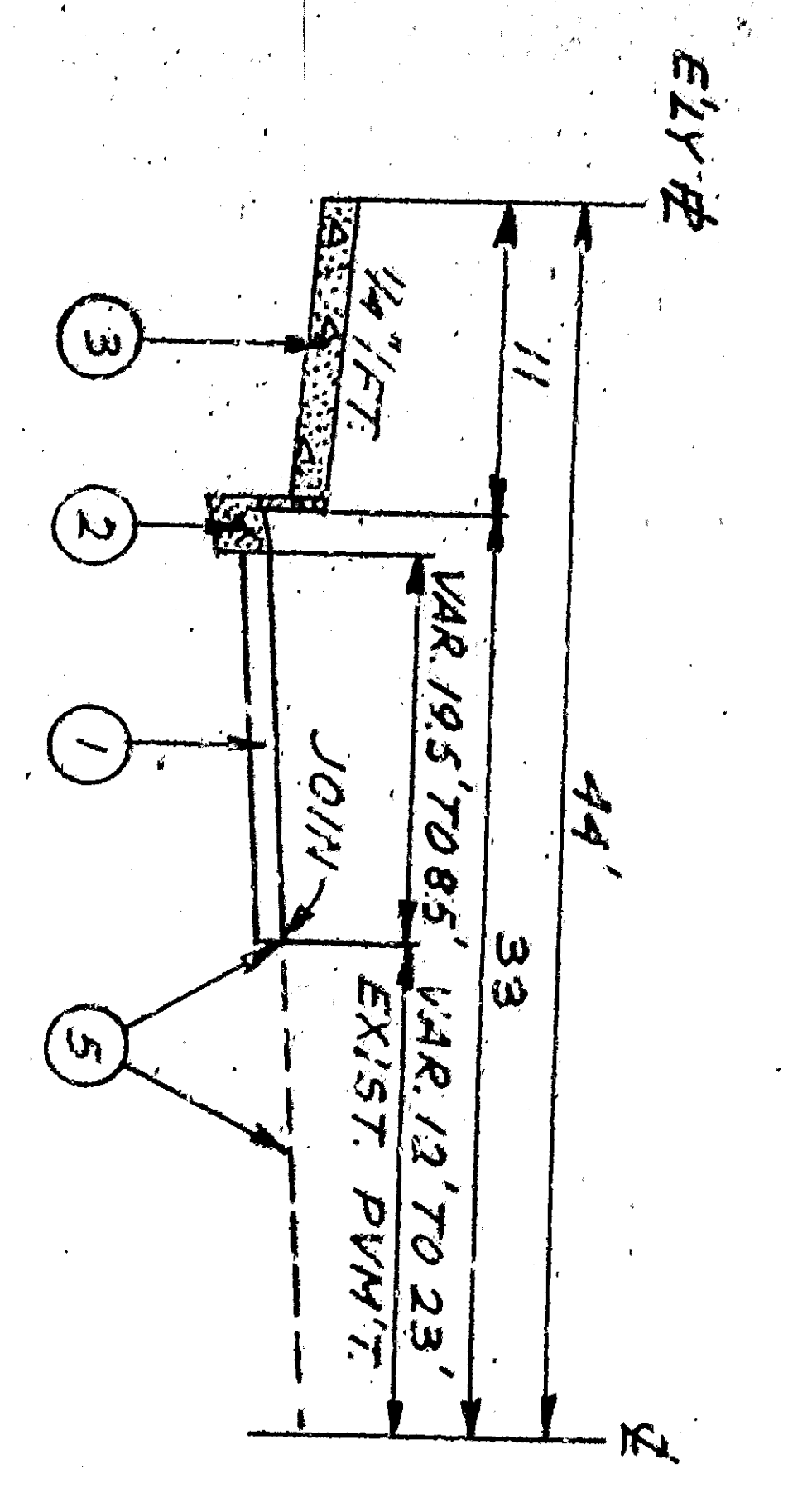
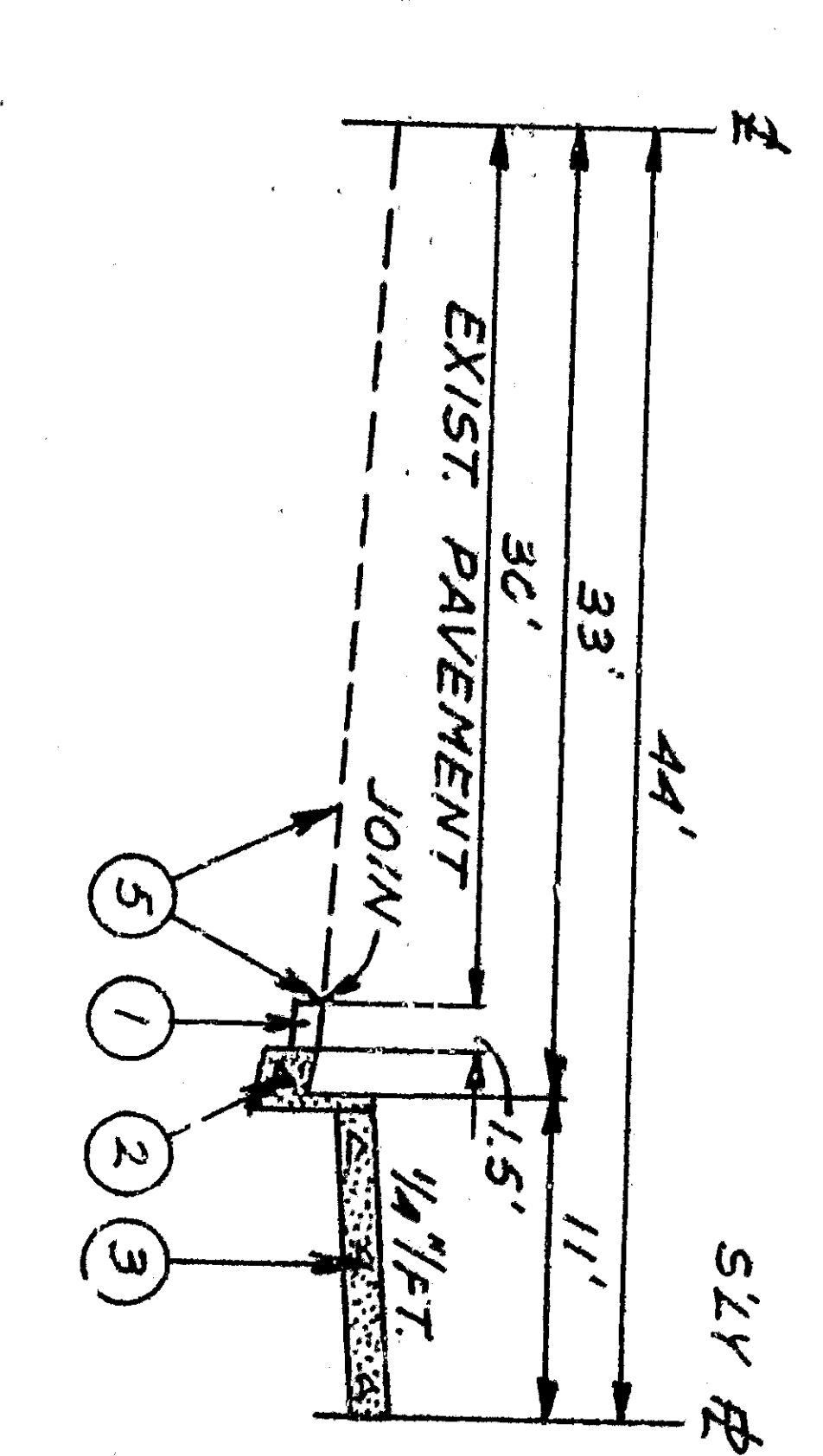
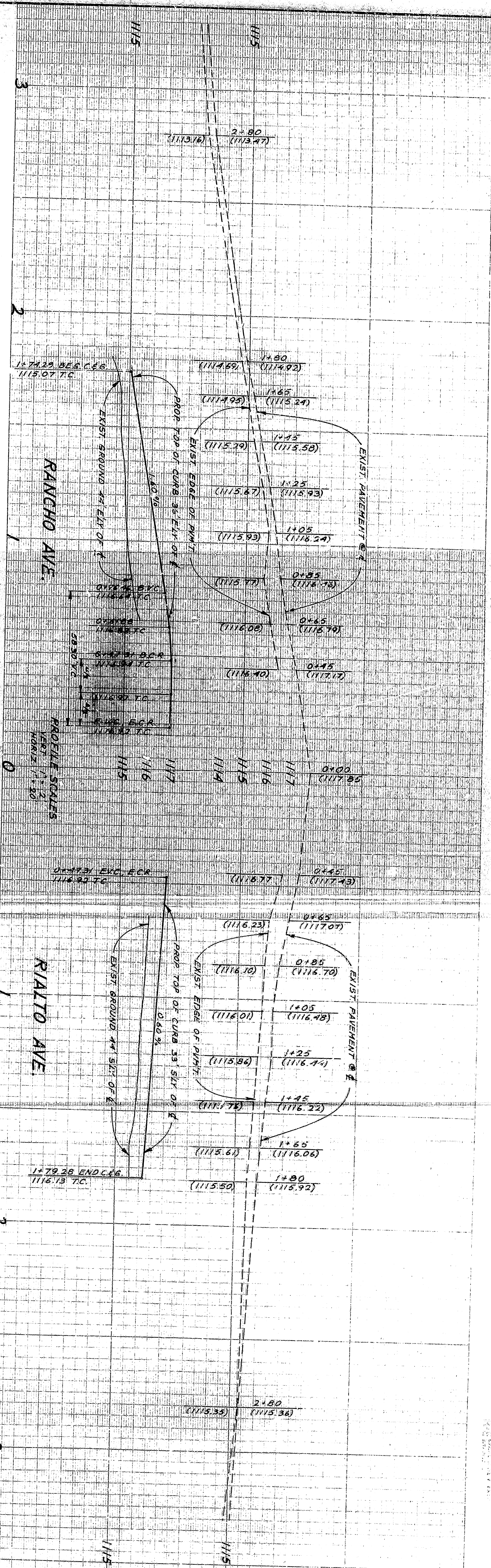


PREPARED IN THE OFFICE OF
 TRI-STATE ENGINEERING CO.
 615 S. RAYMOND AVE.
 FULLERTON, CALIFORNIA
 PHONE: 714-871-9510
 UNDER THE DIRECTION OF
 R. E. WILSON
 DATE: 3-27-61
 REGISTERED CIVIL ENGINEER NO. 18584



- GENERAL NOTES**
- 1 ALL WORK ENDED ON THIS PLAN SHALL BE DONE IN CONFORMITY WITH THE APPLICABLE PROVISIONS OF STANDARD SPECIFICATION NO. 227I AND 511.00.
 - 2 BEGIN WORK AT THE INTERSECTION OF RANCHO AVENUE AND RIALTO AVENUE. ELEV. 1177.75.
 - 3 THE UTILITY COMPANIES SHALL BE NOTIFIED 30 DAYS PRIOR TO CONSTRUCTION.

- CONSTRUCTION NOTES**
- 1 CONST. 0.33% SLOPE
 - 2 CURB & GUTTER, TYPE 'B' PER CITY STD. DWG. NO. 2321-A
 - 3 SIDEWALK PER CITY STD. DWG. NO. 2321-B
 - 4 COMMERCIAL DRIVEWAY PER CITY STD. DWG. NO. 2321-F
 - 5 FEATHER OVER EXIST. PAVEMENT TO FORM SMOOTH JOINT
 - 6 INSTALL 'C' DRAIN UNDER SIDEWALK TO CURB FL. (LOCATE AS REQUIRED BY ON-SITE IMPROVEMENTS)

DEPARTMENT OF ENGINEERING
 CITY OF SAN BERNARDINO
 STREET IMPROVEMENT PLAN AND PROFILE
 FROM RIALTO AVENUE TO 174' SOUTHWESTLY
 RIALTO AVENUE
 FROM RANCHO AVENUE TO 178' EASTERLY
 UNDER THE DIRECTION OF
 R. E. WILSON
 DATE: 3-27-61
 REGISTERED CIVIL ENGINEER NO. 18584
 SHEET 1 OF 1
 3261